

OPTIBOX SMALL



	H	150 mm
	W	150 mm
	D	55 mm

	Available Colors:	
		Light Grey (RAL7035)
		Black (RAL9005)

	Weight	
	Net	0,8 kg
	Gross	1,1 kg

PRODUCT OVERVIEW

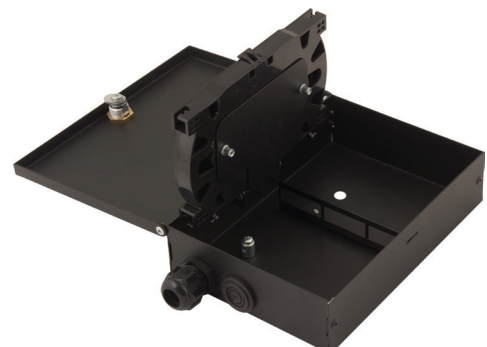
The Alfafonet's OptiBox Small Fiber Termination Patch/Splice Box is designed for use as a wall mount interconnect point where termination and connectivity of up to 24 fibers is desired. This solution allows easy access to patch cords and pigtails after opening the hinged cassette tray. Standard boxes are available empty for complete field configuration, half-loaded with adaptor plates for field termination and cable assembly installation, or stubbed with a factory-installed cable assembly of a user specified length.

Features

- Fits comfortably into new and existing interconnect, cross-connect, customer premise, and co-location environments
- Most common connector styles and types available
- Compatible with industry standard equipment frames
- Single door with tube-style keyed lock for flexibility and security
- Optional magnetic lock
- Optional splice tray kit for on site conversion to patch and splice panel

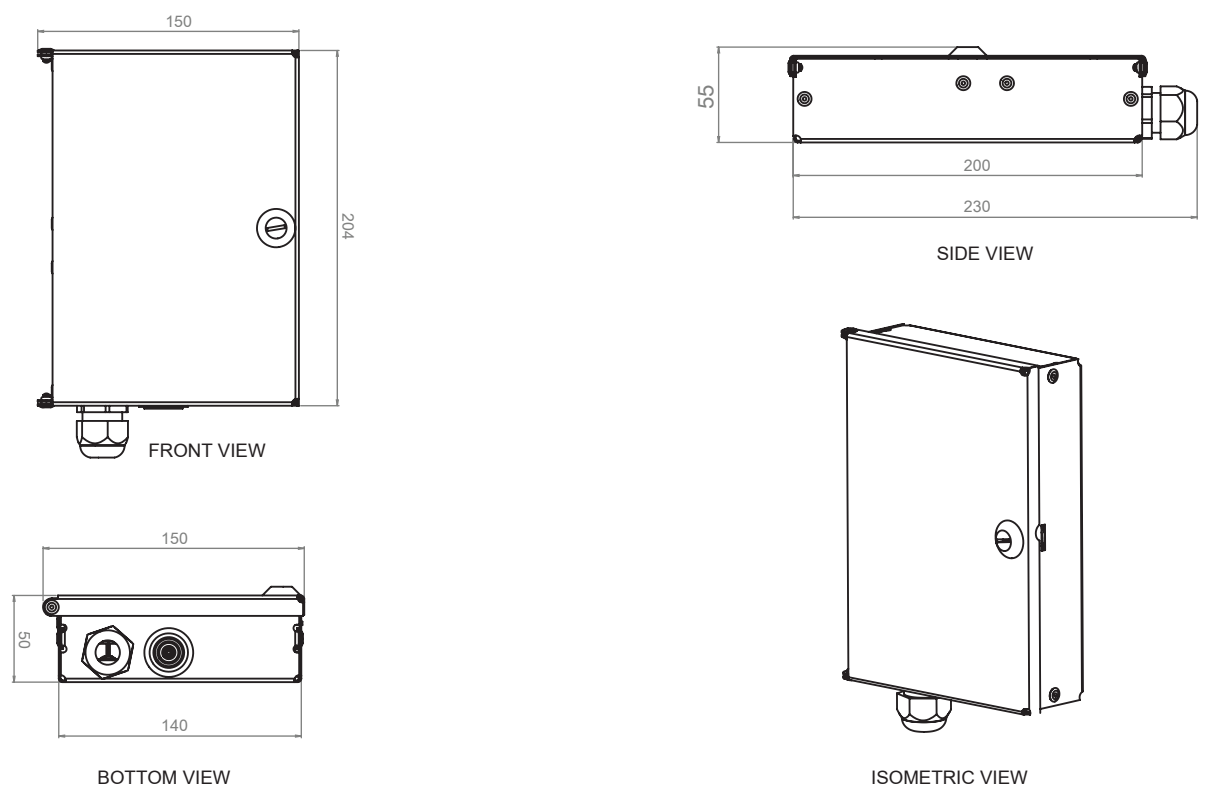
Specifications

- Cold rolled steel
- Durable textured powder coat finish available in black or white
- Easy changeable adaptor plates
- Standard density: up to 12 fiber, High density: up to 24 fiber
- Standard cable stub location is bottom
- Optional splice trays for splitters

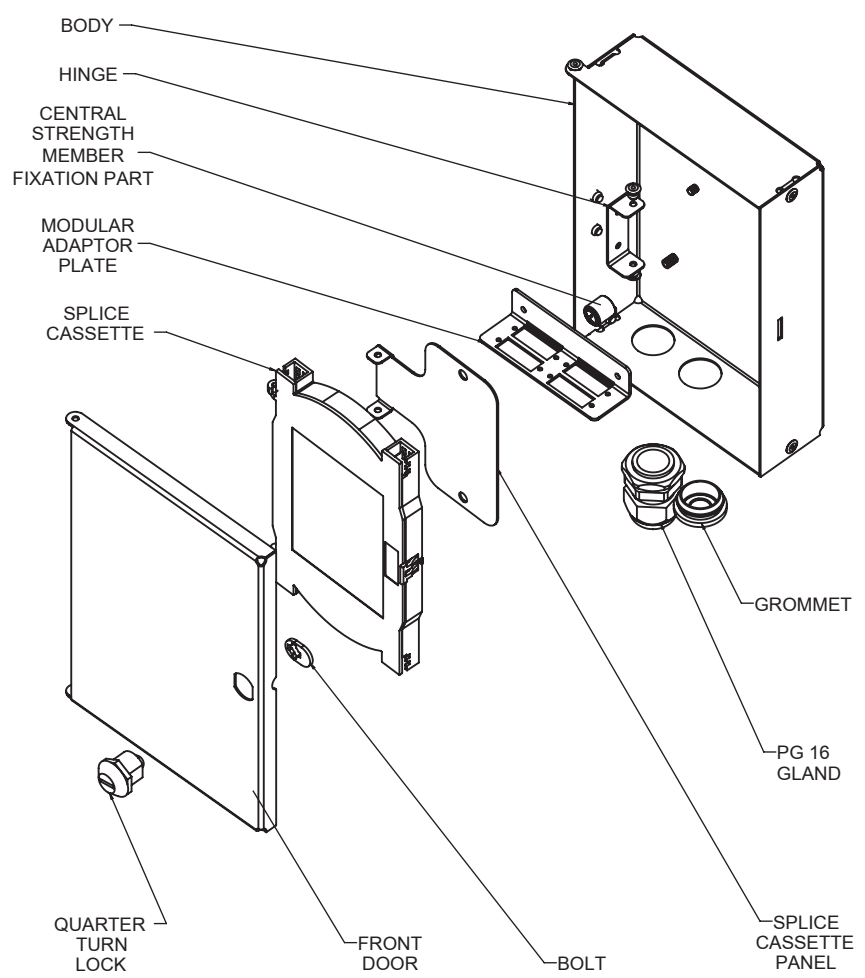


OPTIBOX SMALL

Dimensions

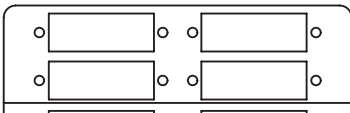
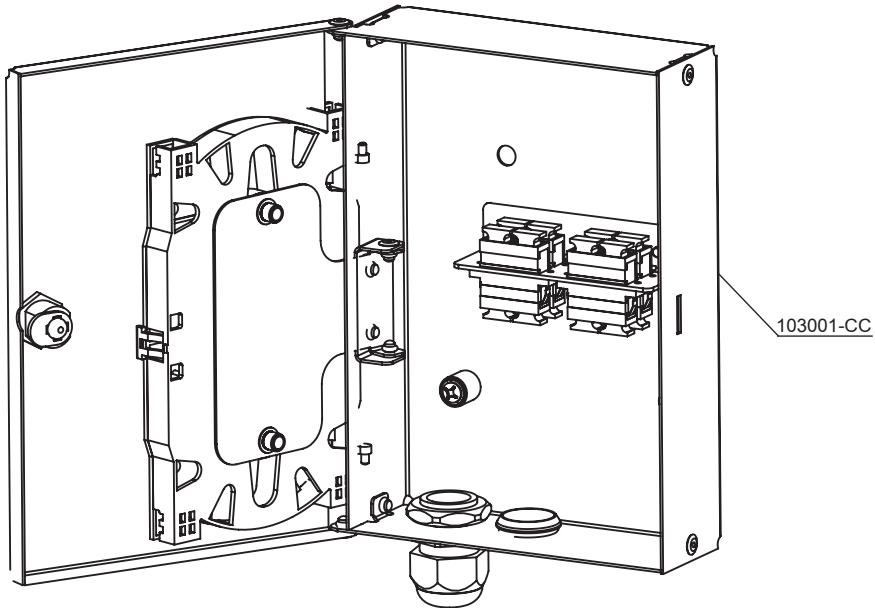


Exploded View

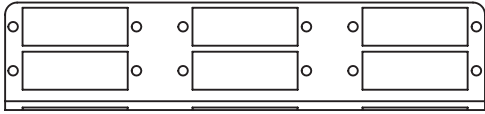


OPTIBOX SMALL

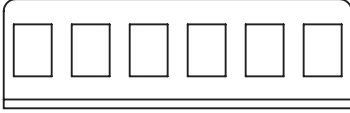
Order No*	Product Definition
103001-CC	OptiBox Small Fibre Optic Termination Box-Single Door with Tube-Style Keyed Lock without Adaptor Plate, Colour: Black-RAL9005 or Light Grey-RAL7035, (1pcs. PG16 Plastic Gland and 1pcs. Grommet, 1pcs. 50cm Spiral Wrap, 4pcs. 2,5mmX10 Cable Ties)



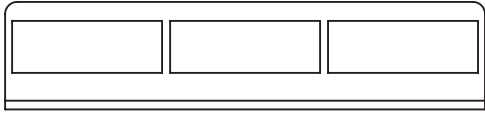
4 SC Duplex or 4 LC Quad Horizontal Adaptor Plate



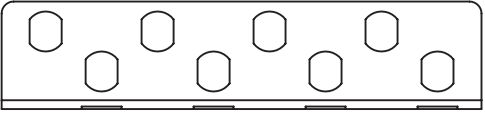
6 SC Duplex or 6 LC Quad Horizontal Adaptor Plate



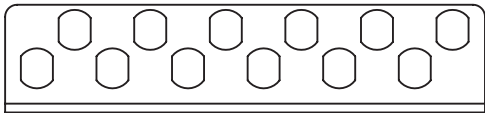
6 LC Duplex or 6 E2000 Simplex or 6 SC Simplex Adaptor Plate



12 LC Duplex or 12 E2000 Simplex or 12 SC Simplex Adaptor Plate



8 ST or 8 FC (D-hole) Adaptor Plate



12 ST or 12 FC (D-hole) Adaptor Plate

Order No*	OptiBox Small Adaptor Plate Options
103001.01-CC	4 SC Duplex or 4 LC Quad Horizontal Adaptor Plate
103001.02-CC	6 SC Duplex or 6 LC Quad Horizontal Adaptor Plate
103001.03-CC	6 LC Duplex or 6 E2000 Simplex or 6 SC Simplex Adaptor Plate
103001.04-CC	12 LC Duplex or 12 E2000 Simplex or 12 SC Simplex Adaptor Plate
103001.05-CC	8 ST or 8 FC (D-hole) Adaptor Plate
103001.06-CC	12 ST or 12 FC (D-hole) Adaptor Plate

Ordering Information

* CC=LG for Light Grey RAL 7035 & BL for Black RAL 9005 for customers to define while ordering.